

TOPOSON[®]

Toposon Hardware Technology Company Limited

EXQUISITE DESIGN, BEARING UP TO 200 KG, THE OVERALL USE OF HIGH QUALITY ALUMINUM ALLOY WOOD GRAIN MATERIAL



(S) small wood grain Kertim chair

Item#: TPN-901

Product Dimensions(L*W*Hcm)
:55*53*61cm

Material:Aluminum tube with
20*15*1.0mm,

Doudeck 600D Oxford PVC coating,

Surface treatment:wood grain

Packing: 1pc in carton ,4pcs in a master carton

inner box size: 55*8.5*58cm/1pc

oute

N.V



TOPOSON®

**Toposon Hardware Technology Company
Limited**



(L)Large wood grain Kertim chair

Item#:TPN-9101

**Product Dimensions(L*W*Hcm): 55*53*78cm
(unfolding)**

Material: Aluminum tube with Dia.20*15*1.0mm,
Doubledeck 600D Oxford pvc coating

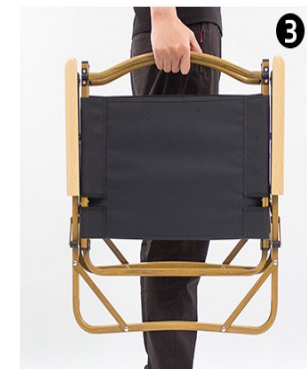
Surface treatment: wood grain

Packing:each in a 600D Oxford carrying
bag ,4pcs in a master carton

inner: 55*8.5*76cm/1pc

outer: 57*37*78cm/4pcs

N.W./G.W.: 13.8/12.8kg



TOPOSON®

**Toposon Hardware Technology Company
Limited**



Iron tube single chair

Item#:TPN- 1902

Dimensions(L*W*Hcm):57*61*72cm(unfolding)

Material:iron tube with
Dia.22*1.0mm,Doubledeck 600D Oxford
pvc coating

Surface treatment:Powder coating

Packing: each in a bag ,4pcs in a carton

Carton Size:58*9*73cm

G.W.:3.8kg



TOPOSON[®]

Toposon Hardware Technology Company
Limited



Single chair with wood grain

Item#: TPN-115S

Dimensions(L*W*Hcm):57*61*74cm(unfolding)

Material: Aluminum tube with
Dia.25*1.0mm, Doubledeck 600D Oxford
PVC coating

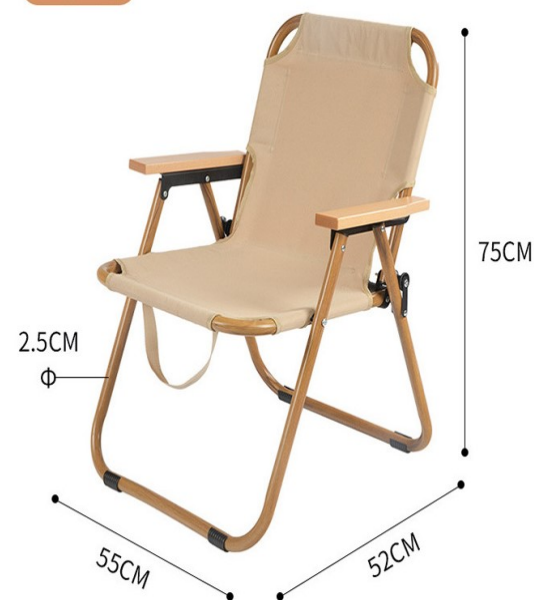
Surface treatment: wood grain

Packing: each in a k

Carton Size:58*9*73

G.W.:3.0kg

产品尺寸



TOPOSON®

Toposon Hardware Technology Company
Limited



Double chair with wood grain

Item#: TPN-1016M

Dimensions(L*W*Hcm):62*109*72cm(unfolding)

Material:Aluminum tube with dia.25*1.0mm,,
Doubledeck 600D Oxford PVC coating,
Surface treatment:wood grain

Packing: each in a bag ,1pcs in a carton

Carton Size:115*9*70cm

G.W.:4.8



TOPOSON®

**Toposon Hardware Technology Company
Limited**



快速便携收纳
平整舒适面料

Wood Grain Foot Camp Bed

Item#: TPN-1039

Dimensions(L*W*Hcm): 189*64*42cm

Material: Aluminum tube with
35*25+25*25mm, 600D Oxford PVC
coating

Surface treatment: wood grain

Packaging: each in a bag ,1pcs in a carton

Carton Size:96*8*25.5cm

G.W.:5.8kg



TOPOSON®

**Toposon Hardware Technology Company
Limited**



Butterfly chair

Item#:TPN- 117S

Dimensions(L*W*Hcm): 53*67.5*80cm

Material:Aluminum tube with 20*15*1.0mm,
Doubledeck 600D Oxford PVC coating

Surface treatment: wood grain

Packing:1pc in a 600D Oxford carrying bag ,each
in a opp bag,4pcs in a master carton

inner carton Size: 101*11*13cm/1pc

outer carton Size: 103*24*28cm/4pcs

N.W./G.W.:13/12kg



卡其
KHAKI



黑色
BLACK

TOPOSON[®]

Toposon Hardware Technology Company
Limited



Semi aluminum and semi iron marching bed

Item#: TPN-1039AI

Dimensions(L*W*Hcm):189*64*42cm(unfolding)

Material:Aluminum tube with35*25mm&iron tube with 25*25mm, 600D Oxford PVC coating

Surface treatment:Powder coating

Packing: each in a carton

Carton Size:96*8*25.5cm

N.W.: 7.2kg



TOPOSON®

**Toposon Hardware Technology Company
Limited**



Star chair

Item#: TPN-165

Dimensions(L*W*Hcm):65*50*95cm(unfolding)

Material:Aluminum tube with 20*15*1.0mm,
600D Oxford PU coating

Surface treatment:Silvery Anodizing,

Packing: each in a opp bag ,1pcs in a carton

Carton Size:115*13*14cm

N.W.: 2.8kg



TOPOSON®

Toposon Hardware Technology Company Limited



**Upgrade fully disassembled Kermit chair
Item#:112N**

Dimensions(L*W*Hcm): 54*46*66cm(unfolding)
Material:Aluminum tube with 23*23*1.0mm,600D Oxford PVC coating
Surface treatment:Powder coating with matt black
Packing:1pc in a 600D Oxford carrying bag ,4pcs in a master carton
inner carton Size: 66*15*15cm/1pc
outer: 68*32*33cm/4pcs



TOPOSON®

Toposon Hardware Technology Company Limited

Wood grain iron foot aluminum plate table

Item#: TPN- 061

Dimensions(L*W*Hcm):90*60*70cm

table top: Aluminum tube with 54*11mm

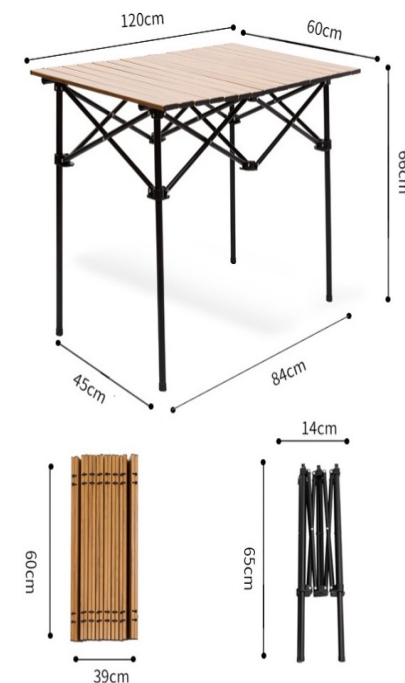
Surface treatment: wood grain

table leg: Iron tube with :

Surface treatment: Powder coating

Packing: 1pcs in a 600D Oxford carrying bag ,1pcs in a master carton

Carton Size: 72*15*26cm



TOPOSON®

**Toposon Hardware Technology Company
Limited**



Wood grain outdoor folding table

Item#: TPN- 063W

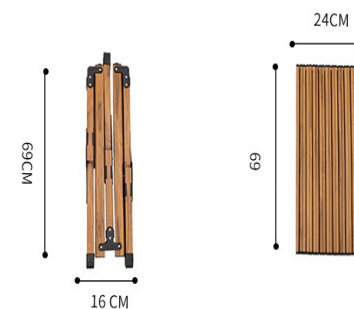
Dimensions(L*W*Hcm):123*60*46cm

Material:Aluminum tube with 54*11mm&
25*25*1.0mm

Surface treatment: wood grain

Packing:1pc in a 600D pvc carrying bag ,1pcs in a
master carton

Carton Size: 85*15*25cm



TOPOSON®

**Toposon Hardware Technology Company
Limited**



Multifunctional Folding Retractable Pant Rack

Item#: TPN- R004

Material: Stainless Steel Plastic

Packing Quantity: 120/Carton

Main Sales Areas: Europe, North America, South America,
Middle East, Southeast Asia, Asia, Africa

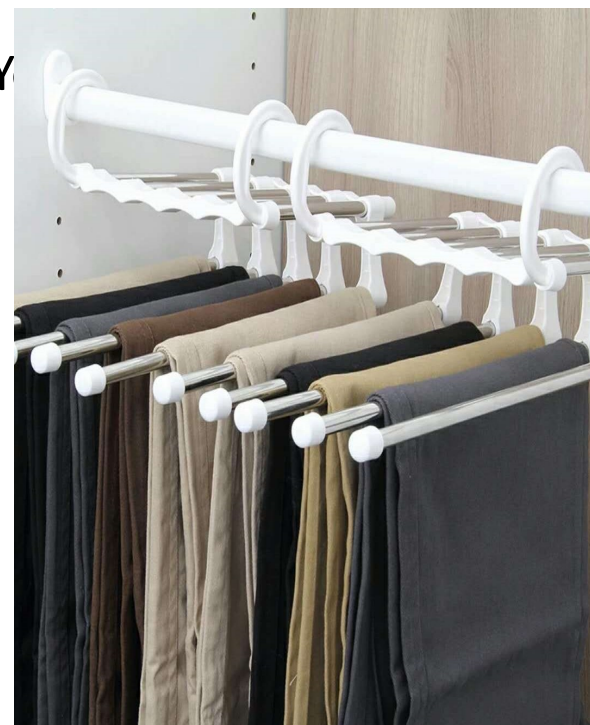
Style: Modern Simplicity

Color: White, Black

Customized Processing: Y

Printed Logo: No

Net Weight: 0.207kg



TOPOSON®

**Toposon Hardware Technology Company
Limited**



Shoe Rack Outdoor Balcony /Home Simple Slippers Rack
Floor Drying Shoes

Item#: TPN- R001/003S

Material: Metal

Processing Methods: Other, Metal, Special-Shaped,
Splicing

Color: Single Layer, Black, Single Layer and White, Single-
Layer Bronze, Single-Layer Gold, Double Black, Double-
Layer White, Double-Layer Bronze, Double-Layer Gold,
Three-Layer Black, Three Layer White, Three-Layer Bronze,
Three-Layer Gold

Whether Cross-Border Export Is Exclusively Available: Yes

Style: Other/Other

Structural Process: Metal Process

